

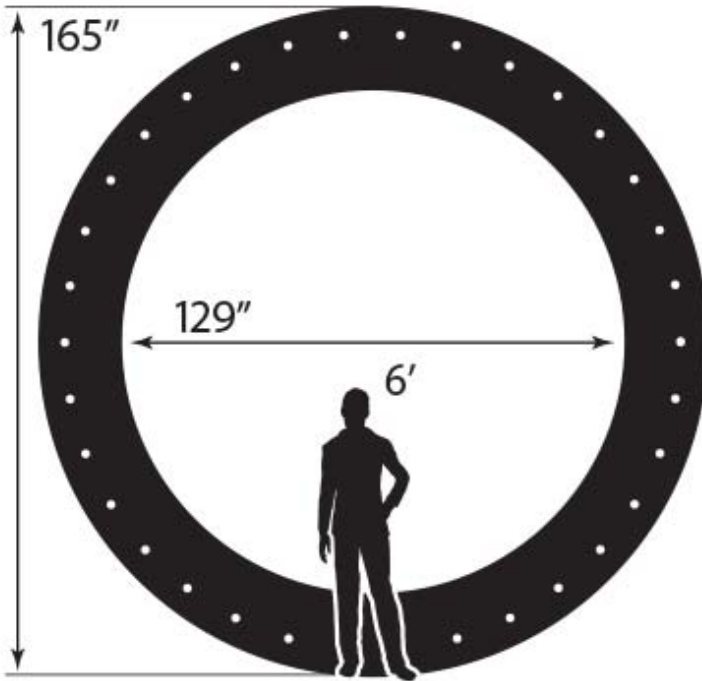
RK Rubber Newsletter

February 2014

Volume 3, Issue 20

Be My Gasket!





Success Story

The 165" Diameter Launch Seal Project

You won't normally catch us laying down on the job but today, we deserve it. We needed to unwind and relish this moment since RK Rubber produced the largest seal we have ever made in our 115 years of being in business!

Our customer is a major player in the tunnel boring business and needed an experienced crew to tackle this mammoth project. RK Rubber was the right fit since, over the years; we have manufactured a number of large seals not only for the tunnel boring companies but also the manufacturers of the machinery.

The 165" Diameter Launch Seal Project was 1" thick and it had an 18" wide flange with the finished product weighing approximately 450 pounds. The logistics on how we cut the sections and got them in the press to vulcanize them together was daunting but our incredible teamwork and manpower tackled the challenge after three days of hard work and it was shipped off to a municipal project in Los Angeles. Success sure feels good.

It's a tireless job but we can handle it!

Dick Ziegler
Operations Manager

