



I set my internal clock by the seasons. Winter is a fine time to hibernate... if you're a bear. For me, it's a time to work hard and then play hard (I happen to like snowmobiling - when there's snow that is).

Now that it's spring, my drive is to um... work hard... again. Guess I'm just wired that way. It's not that I'm a workaholic; it's that I find great reward in a job well done. We here at RK RUBBER all share in that work ethic. At the end of the work day, having satisfied customers is what we're all about ... "Spring" it on!

**"No matter how long the winter, spring is sure to follow."**

~Proverb



Dell Gultknecht, General Manager



[RK Fabrication](#)

# Super-sized Gaskets for Mission Critical Projects

**CASE STUDY**  
**Super-Sized Construction Gaskets**

At RK Rubber, we excel at developing super-sized rubber solutions for mission critical projects. Many rubber fabricators in our industry do not have the capacity, equipment, or experience to work with large heavy rubber stock. For over 113 years, we've built our reputation by solving problems with innovative, customized solutions that have to perform without failure. A long time customer in the construction industry already knew that our gaskets had a reputation for 5-year life spans in tough conditions, so they brought us on-board to help solve their issue.

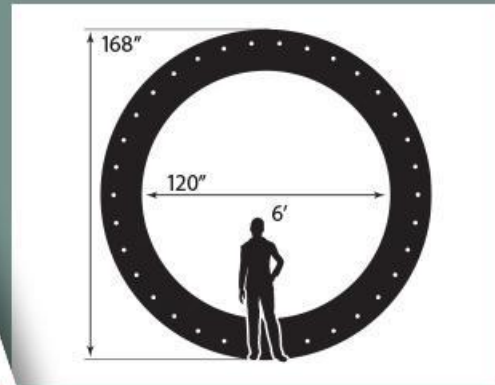
They asked us to design and fabricate a super-sized rubber gasket with a 14' OD and a 10' ID. Consider this: any gasket cannot be made to 1 year due to its size and weight. In addition to its massive size, the gasket had to perform in extreme conditions where exposure to high pressure water, mud, rocks, and debris would ultimately be used for deep water testing machines during big dig projects. We understood that any type of gasket fabricator could result in massive construction delays and wasted municipal dollars. This was a no-go for us and it required a thorough design and engineering process. Using design, engineering and innovative fabrication techniques, we successfully created a 14' OD gasket with 6 rubber segments that were each made from 1" thick neoprene stock.

"The Ring of Saturn has nothing on the STURGEONOUS gaskets RK RUBBER fabricates on Earth!"

We leveraged an array of fabrication and vulcanization processes to meet our customer's requirements. In addition, all of our work was performed under a tight deadline of less than two weeks. We also worked with the developer's multiple construction sites that were as close as possible. The process was a tremendous success, and we continue to assist them with large-scale gasket manufacturing for various municipal construction projects.

**RK RUBBER**  
EST. 1898  
RUBBER & SILICO FABRICATING

**=SOLUTIONS**



- ✓ 14' OD
- ✓ 10' ID
- ✓ 6 Rubber Segments
- ✓ 1" Thick Neoprene
- ✓ 5 Year Life Span

[Read more](#)

# Ultra-Smooth Splices

**NEW**

on the floor at RK RUBBER – the FLEXCO Aero 1500



[Video short](#)



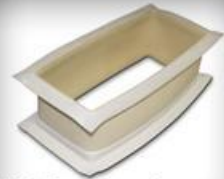
White FDA Nitrile Sleeve



Rockline Urethane  
Belt Cleaner Blade



Cotton Belt with  
Clipper Belt Lacing



FDA Pure Gum Connector  
with White Nitrile Flanges

[Request for Quote](#)



**EXPERiENCE = SOLUTIONS**



RK Rubber offers immediate phone quotes. Contact us today!  
800.747.9197 | [www.rkrubber.com](http://www.rkrubber.com)