



Gaskets • Sleeves • Vulcanizing • Conveyor Belts • Fabrication • Die Cutting • Seals

The Rhythm of Life

Hello March madness, St. Patrick's Day and tax time. I tend to mark time in "chunks" and seasonal activities. This month, I'm usually trying to squeeze the last bit of decent winter weather for one more snowmobile run. I'm also thinking "wow" — first quarter of the year is about to be in the books.

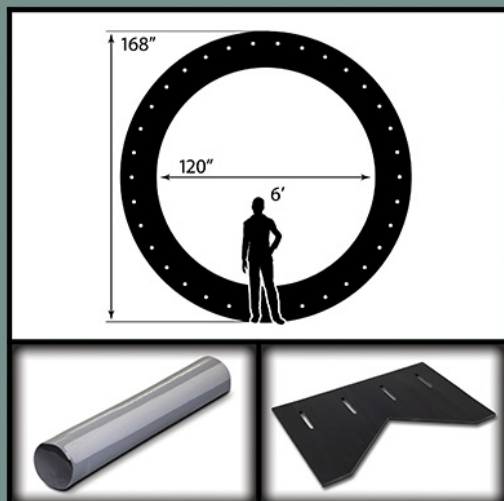
Marking time can be relative depending on what you're doing and who you are with. For RK RUBBER, 125 years as a company has seen it's share of fluctuating times. Throughout all those years, management has been nimble, responsive and innovative in building a reputation as an industry leader.

For my experience here, time has moved by fast. I'm surrounded by dedicated craftsmen and long-standing customer relationships. Those two components are essential for a rewarding work life and this company's longevity.

Dell Gutknecht
General Manager



Fabricating Products that Meet the Demands of Industry

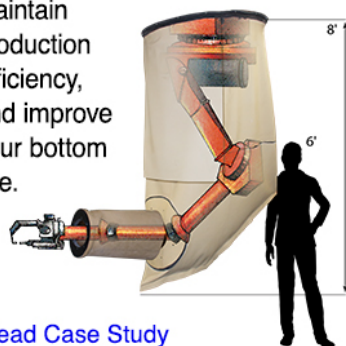


Rubber sleeves,
oversized gaskets,
custom rubber parts
and more...

[Fabricating](#)

Helping Manufactures Save \$\$\$

We can help you develop ways to protect your equipment, maintain production efficiency, and improve your bottom line.



[Read Case Study](#)



Historical Fun Fact

RK RUBBER
EST. 1898

Ludwig Korfmann bought the Stevens Point Brewing Co. in 1924 and served as its President and Treasurer until the day he died.

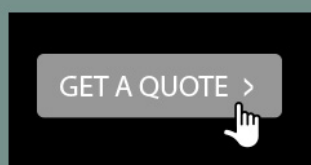


We Make Ordering Easy

We are committed to providing high-quality, **durable rubber products** that meet consistent standards. Our dependable team of expert craftsmen has 150 years of combined experience in research and development, prototype production and custom rubber fabrication.

RK Rubber offers competitive pricing on Made in the USA products. We provide quick turn-around on quotes and all orders, large and small.

Choose RK Rubber as your **rubber supplier** for new or **replacement rubber products!**



 **EXPERIENCE = Solutions**

